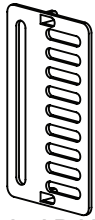
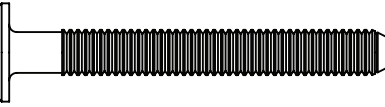
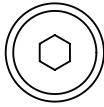


## INSTRUCTIONS TO CONVERT A RILEY MINI CRIB TO A TWIN HEADBOARD

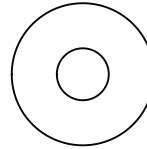
### PARTS AND TOOLS REQUIRED



A. ADAPTER PLATE x2



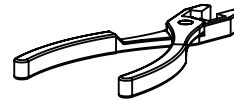
B. BOLT x2



C. WASHER x2



D. NUT x2

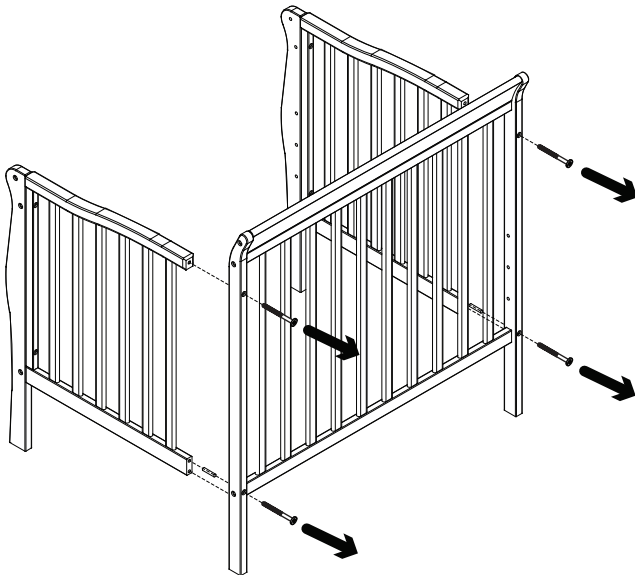


PLIERS (NOT SUPPLIED)  
 or ADJUSTABLE WRENCH (NOT SHOWN)

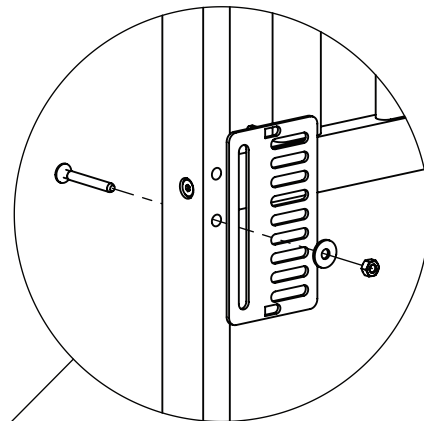


M4 ALLEN WRENCH  
 SUPPLIED WITH CRIB

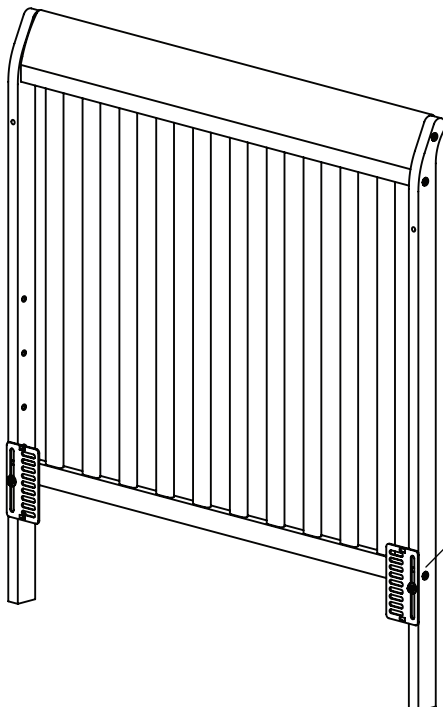
THE ASSEMBLY FROM STEP 2 OF THE CRIB INSTRUCTIONS IS THE TWIN HEAD BOARD. REMOVE ALL PARTS ATTACHED AFTER STEP 2 AND STORE THEM SAFELY.



ATTACH (1) ADAPTER PLATE (PART A) TO EACH POST USING (1) BOLT (PART B), (1) WASHER (PART C) AND (1) NUT (PART D). THE TABS ON THE ADAPTER PLATE SHOULD FACE THE BACK OF THE HEAD BOARD, THEY WILL KEEP THE ADAPTER PLATE FROM ROTATING. LEAVE LOOSE AT THIS TIME.



BOTH POSTS



ATTACH THE HEADBOARD TO THE BED FRAME WITH THE HARDWARE SUPPLIED WITH THE BED FRAME. ADJUST THE ADAPTER PLATS UP OR DOWN AS NECESSARY. USE THE M4 ALLEN WRENCH SUPPLIED WITH THE CRIB AND A PLIERS OR ADJUSTABLE WRENCH TO TIGHTEN THE ADAPTER PLATE.

A BED FRAME IS NOT SUPPLIED WITH THIS PRODUCT. SEE THE RETAIL STORE OR MATTRESS DEALER.